



VALIADIS
HELLENIC MOTORS

K series Three-phase Asynchronous Motors



Efficiency IE4



VALIADIS S.A.

HELLENIC MOTORS

Quality Assurance Certificate en iso 9001:2015
Certificate Reg. No. 041130055

K-series

IE4 SUPER PREMIUM EFFICIENCY

ACCORDING IEC 80 - 355



Applications

- Fans
- Pumps
- Gears
- Compressors
- Textiles
- Food industry

Standard features

- Industrial series of cast-iron housing motors
- IP55 protection degree
- Insulation class F, temperature rise 80°C
- Removable feet with the possibility of right and left hand side terminal box
- Terminal box rotation at 180°
- SKF or NSK bearings
- Cast iron housing for the bearing
- RAL 5010, blue colour

Optional features

- Special voltages and frequency
- Class H insulation
- Brake kits for all motors
- Forced cooling for constant torque operation through frequency inverter
- IP56 / IP65 protection
- PTC / PT100 in the winding
- Frame reduced motors (non-IEC)
- Anticondensation heaters
- Roller bearings on drive end
- Double shaft
- Cable execution (with terminal box or directly connected)
- Epoxy resin encapsulated terminal box
- Epoxy resin encapsulated winding
- Silicon encapsulated terminal box

K-Series - IE4

Three-phase motors with squirrel cage, protection degree IP55

2 Poles-3000 rpm
380-420/220-240V Y/Δ 50Hz
660-725/380-420V Y/Δ 50Hz
Insulation class F

TYPE	POWER		SPEED rpm	EFF. %	POWER FACTOR cos φ	RATED CURRENT (400V) A	NOMINAL TORQUE Nm	Moment of inertia GD ² /4 Kgm ²	Starting current ratio Ip/In	Starting torque ratio Mp/Mn	Break-down Torque Mm/Mn	Noise Level LW dB(A)	Net Weight Kg
	kW	HP											
K80-2	0.75	1	2855	84.9	0.83	1.5	2.5	0.001	6.8	2.3	2.3	62	19
K80-2	1.1	1.5	2855	86.7	0.83	2.2	3.7	0.002	7.1	2.3	2.3	62	20
K90S-2	1.5	2	2875	87.5	0.85	2.9	5.0	0.002	7.3	2.3	2.3	67	23
K90L-2	2.2	3	2875	89.1	0.86	4.1	7.3	0.003	7.6	2.3	2.3	67	32
K100L-2	3	4	2880	89.7	0.87	5.5	9.9	0.006	7.8	2.2	2.3	74	45
K112M-2	4	5.5	2900	90.3	0.88	7.3	13.2	0.009	8.1	2.2	2.3	77	50
K132S-2	5.5	7.5	2900	91.5	0.88	9.9	18.1	0.024	8.2	2.2	2.3	79	85
K132S-2	7.5	10	2900	92.1	0.89	13.2	24.7	0.029	7.8	2.2	2.3	79	91
K160M-2	11	15	2940	93	0.89	19.2	35.7	0.067	7.9	2.2	2.3	81	134
K160M-2	15	20	2940	93.4	0.89	26	48.7	0.080	7.9	2.2	2.3	81	150
K160L-2	18.5	25	2940	93.8	0.89	32	60.1	0.097	8	2.2	2.3	81	170
K180M-2	22	30	2955	94.4	0.89	37.8	71.1	0.137	8.1	2.2	2.3	83	244
K200L-2	30	40	2965	94.5	0.89	51.5	96.6	0.227	7.5	2	2.3	84	329
K200L-2	37	50	2965	94.8	0.89	63.3	119.2	0.269	7.5	2	2.3	84	345
K225M-2	45	60	2970	95.1	0.89	76.7	144.7	0.360	8.8	2.2	2.3	86	436
K250M-2	55	75	2975	95.4	0.89	93.5	176.6	0.791	7.5	2.2	2.3	89	546
K280S-2	75	100	2975	95.6	0.89	127.2	240.8	0.960	6.9	1.8	2.3	91	681
K280M-2	90	125	2975	95.8	0.89	152.4	288.9	1.157	6.9	1.8	2.3	91	731
K315S-2	110	150	2980	96	0.9	183.8	352.5	1.662	7	1.8	2.2	92	1296
K315M-2	132	180	2980	96	0.9	220.5	423.0	1.874	7	1.8	2.2	92	1369
K315L-2	160	220	2980	96.2	0.9	266.7	512.8	2.146	7.1	1.8	2.2	92	1463
K315L-2	200	270	2980	96.3	0.91	329.4	640.9	2.448	7.1	1.8	2.2	92	1544
K355M-2	250	340	2980	96.4	0.91	411.4	801.2	4.4	7.1	1.6	2.2	100	1830
K355L-2	315	430	2980	96.5	0.91	517.8	1009.5	5	7.2	1.6	2.2	100	2160

K-Series - IE4

Three-phase motors with squirrel cage, protection degree IP55

4 Poles-1500 rpm
380-420/220-240V Y/ Δ 50Hz
660-725/380-420V Y/ Δ 50Hz
Insulation class F

TYPE	POWER		SPEED rpm	EFF. %	POWER FACTOR $\cos \varphi$	RATED CURRENT (400V) A	NOMINAL TORQUE Nm	Moment of inertia $GD^2/4$ Kgm ²	Starting current ratio Ip/In	Starting torque ratio Mp/Mn	Brerak-down Torque Mm/Mn	Noise Level LW dB(A)	Net Weight Kg
	kW	HP											
K80-4	0.75	1	1400	85.6	0.74	1.7	5.1	0.003	6.4	2.3	2.3	56	20
K90S-4	1.1	1.5	1425	87.4	0.75	2.4	7.4	0.004	6.6	2.3	2.3	59	27
K90L-4	1.5	2	1425	88.1	0.78	3.2	10.1	0.005	6.7	2.3	2.3	59	30
K100L-4	2.2	3	1440	89.7	0.797	4.5	14.6	0.012	7.3	2.3	2.3	64	41
K100L-4	3	4	1440	90.3	0.8	6.0	19.9	0.016	7.5	2.3	2.3	64	46
K112M-4	4	5.5	1450	90.9	0.8	7.9	26.3	0.022	7.5	2.3	2.3	65	54
K132S-4	5.5	7.5	1455	92.1	0.8	10.8	36.1	0.060	7.5	2	2.3	71	100
K132M-4	7.5	10	1455	92.6	0.81	14.4	49.2	0.071	7.3	2	2.3	71	112
K160M-4	11	15	1465	93.6	0.83	20.4	71.7	0.137	7.4	2	2.3	73	148
K160L-4	15	20	1465	94.0	0.84	27.4	97.8	0.171	7.5	2	2.3	73	172
K180M-4	18.5	25	1470	94.3	0.85	33.3	120.2	0.238	7.6	2	2.3	76	241
K180L-4	22	30	1475	94.7	0.85	39.4	142.4	0.259	7.7	2.1	2.3	76	257
K200L-4	30	40	1475	95.0	0.85	53.6	194.2	0.459	7.1	2.1	2.3	76	366
K225S-4	37	50	1480	95.3	0.86	65.2	238.8	0.656	7.3	2.1	2.3	78	407
K225M-4	45	60	1480	95.6	0.86	79.0	290.4	0.758	7.3	2.2	2.3	78	435
K250M-4	55	75	1480	95.8	0.86	96.4	354.9	1.078	7.3	2.2	2.3	79	553
K280S-4	75	100	1485	96.0	0.87	129.6	482.3	1.800	6.8	2.2	2.3	80	717
K280M-4	90	125	1485	96.2	0.88	153.5	578.8	2.130	6.9	2.2	2.3	80	788
K315S-4	110	150	1485	96.4	0.89	185.1	707.4	3.415	6.9	2.1	2.2	88	1320
K315M-4	132	180	1485	96.5	0.89	221.8	848.9	3.807	6.9	2.1	2.2	88	1387
K315L-4	160	220	1485	96.5	0.9	265.9	1029.0	3.423	6.9	2.1	2.2	88	1458
K315L-4	200	270	1485	96.6	0.9	332.0	1286.2	5.262	6.9	2.1	2.2	88	1545
K355M-4	250	340	1490	96.7	0.9	414.6	1602.3	9.9	6.9	2.0	2.2	95	1840
K355L-4	315	430	1490	96.8	0.9	521.9	2019.0	11.6	6.9	1.7	2.2	95	2280

K-Series - IE4

Three-phase motors with squirrel cage, protection degree IP55

6 Poles-1000 rpm
380-420/220-240V Y/Δ 50Hz
660-725/380-420V Y/Δ 50Hz
Insulation class F

TYPE	POWER		SPEED rpm	EFF. %	POWER FACTOR cos φ	RATED CURRENT (400V) A	NOMINAL TORQUE Nm	Moment of inertia GD ² /4 Kgm ²	Starting current ratio Ip/In	Starting torque ratio Mp/Mn	Break-down Torque Mm/Mn	Noise Level LW dB(A)	Net Weight Kg
	kW	HP											
K90-6	0.75	1	935	83.1	0.70	1.9	7.7	0.004	5.8	2	2.1	57	25
K90L-6	1.1	1.5	940	84.1	0.70	2.7	11.2	0.006	5.9	2	2.1	57	30
K100L-6	1.5	2	945	86.2	0.71	3.5	15.2	0.016	5.9	2	2.1	61	40
K112M-6	2.2	3	950	87.1	0.71	5.1	22.1	0.039	6.2	2	2.1	65	46
K132S-6	3	4	960	88.7	0.71	6.9	29.8	0.035	6.4	2	2.1	69	83
K132M-6	4	5.5	960	89.7	0.72	8.9	39.8	0.043	6.6	2	2.1	69	95
K132M-6	5.5	7.5	960	89.5	0.72	12.3	54.7	0.056	6.8	2	2.1	69	110
K160M-6	7.5	10	970	90.2	0.78	15.4	73.8	0.140	6.8	2	2.1	73	146
K160L-6	11	15	970	91.5	0.79	22.0	108.3	0.192	6.9	2	2.1	73	168
K180L-6	15	20	975	92.5	0.80	29.3	146.9	0.319	7.3	2	2.1	73	204
K200L-6	18.5	25	975	93.1	0.80	35.9	181.2	0.446	7.2	2	2.1	73	308
K200L-6	22	30	975	93.9	0.81	41.8	215.5	0.557	7.3	2	2.1	73	326
K225M-6	30	40	985	94.3	0.82	56.0	290.9	0.832	6.8	2	2.1	74	397
K250M-6	37	50	985	94.6	0.83	68.0	358.7	1.447	7	2	2.1	76	477
K280S-6	45	60	985	94.9	0.85	80.5	436.3	2.252	7.2	2	2.0	78	702
K280M-6	55	75	985	95.2	0.86	97.0	533.2	2.726	7.2	2	2.0	78	763
K315S-6	75	100	990	95.4	0.84	135.1	723.5	3.984	6.5	2	2.0	83	1265
K315M-6	90	125	990	95.6	0.85	159.9	868.2	4.500	6.6	2	2.0	83	1334
K315L-6	110	150	990	95.6	0.85	195.4	1061.1	5.607	6.6	2	2.0	83	1465
K315L-6	132	180	990	95.8	0.86	231.3	1273.3	6.935	6.7	2	2.0	83	1525
K355M-6	160	220	990	96.0	0.86	279.7	1543.4	11.9	6.8	1.8	2.0	85	1680
K355M-6	200	270	990	96.1	0.86	349.3	1929.3	13.4	6.8	1.8	2.0	85	1810
K355L-6	250	340	990	96.1	0.86	436.6	2411.6	14.3	6.8	1.8	2.0	85	2250

K-Series - IE4

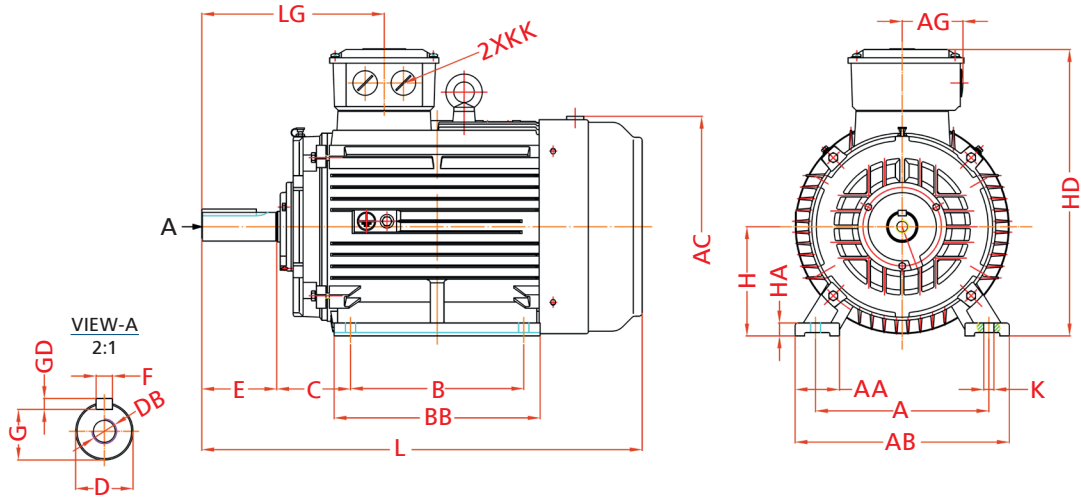
Three-phase motors with squirrel cage, protection degree IP55

8 Poles-750 rpm
380-420/220-240V Y/Δ 50Hz
660-725/380-420V Y/Δ 50Hz
Insulation class F

TYPE	POWER		SPEED rpm	EFF. %	POWER FACTOR cos φ	RATED CURRENT (400V) A	NOMINAL TORQUE Nm	Moment of inertia GD ² /4 Kgm ²	Starting current ratio Ip/In	Starting torque ratio Mp/Mn	Brerak-down Torque Mm/Mn	Noise Level LW dB(A)	Net Weight Kg
	kW	HP											
K132S-8	2.2	3	710	84.5	0.7	5.4	29.6	0.031	7.5	1.8	2	64	65
K132M-8	3	4	710	85.9	0.7	7.2	40.4	0.04	7.8	1.8	2	64	75
K160M-8	4	5.5	720	87.1	0.71	9.3	53.1	0.075	7.9	1.8	2	68	105
K160M-8	5.5	7.5	720	88.3	0.72	12.5	73.0	0.093	8.1	1.8	2	68	125
K160L-8	7.5	10	720	89.3	0.74	16.4	99.5	0.126	7.8	1.8	2	68	135
K180L-8	11	15	730	90.4	0.74	23.7	143.9	0.203	7.9	1.8	2	70	200
K200L-8	15	20	730	91.2	0.75	31.7	196.2	0.339	8	1.8	2	73	240
K225S-8	18.5	25	730	91.7	0.75	38.8	242.0	0.491	8.1	1.8	2	73	280
K225M-8	22	30	740	92.1	0.76	45.4	283.9	0.547	8.3	1.8	2	73	310
K250M-8	30	40	740	92.7	0.77	60.7	387.2	0.83	7.9	1.8	2	75	400
K280M-8	37	50	740	93.1	0.78	73.5	477.5	1.4	7.9	1.8	2	76	530
K280S-8	45	60	740	93.4	0.78	89.2	580.7	1.65	7.9	1.8	2	76	590
K280M-8	55	75	740	93.7	0.8	105.9	709.8	4.8	8.2	1.6	2	82	790
K315S-8	75	100	740	94.2	0.8	143.7	967.9	5.6	7.6	1.6	2	82	1100
K315M-8	90	125	740	94.4	0.81	169.9	1161.5	6.4	7.7	1.6	2	82	1160
K315L-8	110	150	740	94.7	0.81	207	1419.6	7.3	7.7	1.6	2	82	1260
K355M-8	132	180	740	94.9	0.81	247.9	1703.5	12.5	7.7	1.6	2	89	1760
K355M-8	160	220	740	95.1	0.82	300	2064.9	12.9	7.7	1.6	2	89	1850
K355L-8	200	270	740	95.4	0.82	373.6	2581.1	14.2	7.8	1.6	2	89	2380

K-Series - IE4

Dimension sheet

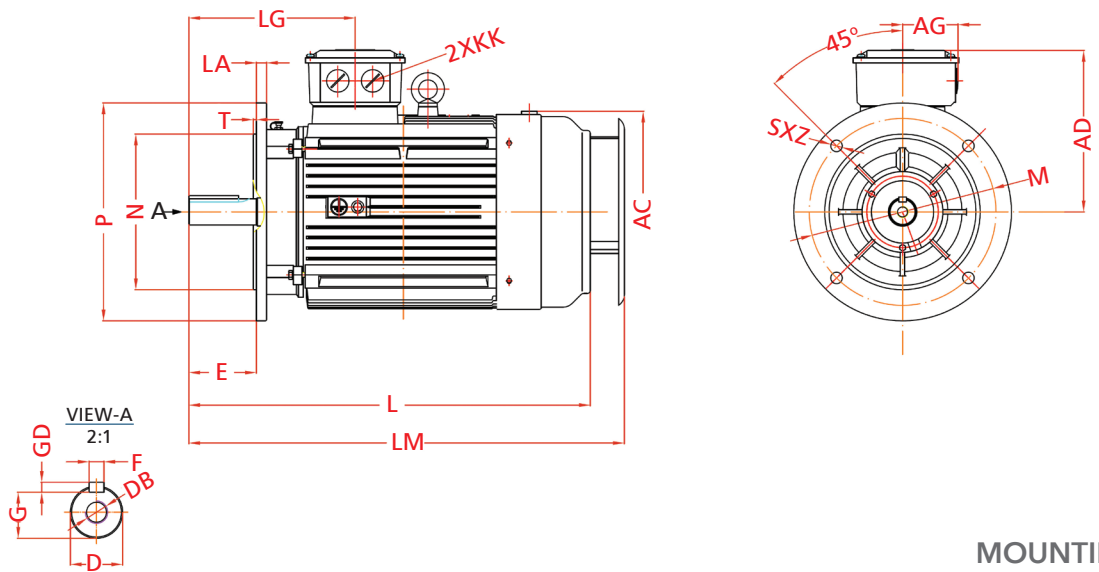


**MOUNTING B3
SIZE 80-355**

FRAME	Poles	A	AA	AB	AC	AG	B	C	D	DB	E	BB	F	G	GD	H	HA	HD	K	KK	LG	L
K80	2-8	125	34	165	175	51	100	50	19	M6X16	40	142	6	15.5	6	80	10	235	10	M24X1.5	115	301
K90S	2-8	140	36	180	205	60	100	56	24	M8X19	50	180	8	20	7	90	12.5	260	10	M24X1.5	129	360
K90L	2-8	140	36	180	205	60	125	56	24	M8X19	50	210	8	20	7	90	12.5	260	10	M24X1.5	129	390
K100L	2-8	160	40	205	215	60	140	63	28	M10X22	60	233	8	24	7	100	14	275	12	M24X1.5	147	433.5
K112M	2-8	190	45	230	236	75	140	70	28	M10X22	60	252	8	24	7	112	14	307	12	M30X2	144	461
K132S	2-8	216	52	270	275	75	140	89	38	M12X28	80	242	10	33	8	132	16	347	12	M30X2	250	477
K132M	2-8	216	52	270	275	75	178	89	38	M12X28	80	242	10	33	8	132	16	347	12	M30X2	250	515
K160M	2-8	254	67	320	340	95	210	108	42	M16X36	110	305	12	37	8	160	19	430	14.5	M36X2	270	656.5
K160L	2-8	254	67	320	340	95	254	108	42	M16X36	110	375	12	37	8	160	19	430	14.5	M36X2	270	728.5
K180M	2-8	279	70	345	385	120	241	121	48	M16X36	110	420	14	42.5	9	180	22	480	14.5	M48X2	288	818
K180L	2-8	279	70	345	385	120	279	121	48	M16X36	110	420	14	42.5	9	180	22	480	14.5	M48X2	288	818
K200L	2-8	318	70	390	440	120	305	133	55	M20X42	110	490	16	49	10	200	25	525	18.5	M48X2	298	908.5
K225S	4-8	356	75	435	490	160	286	149	60	M20X42	140	475	18	53	11	225	28	595	18.5	M64X2	350	958
K225M	2	356	75	435	490	160	311	149	55	M20X42	110	475	16	49	10	225	28	595	18.5	M64X2	320	928
K225M	4-8	356	75	435	490	160	311	149	60	M20X42	140	475	18	53	11	225	28	595	18.5	M64X2	350	958
K250M	2	406	80	485	545	160	349	168	60	M20X42	140	515	18	53	11	250	33	645	24	M64X2	350	981
K250M	4-8	406	80	485	545	160	349	168	65	M20X42	140	515	18	58	11	250	33	645	24	M64X2	350	981
K280S	2	457	85	550	610	160	368	190	65	M20X42	140	554	18	58	11	280	35	700	24	M64X2	350	1028
K280S	4-8	457	85	550	610	160	368	190	75	M20X42	140	554	20	67.5	12	280	35	700	24	M64X2	350	1042
K280M	2	457	85	550	610	160	419	190	65	M20X42	140	554	18	58	11	280	35	700	24	M64X2	350	1028
K280M	4-8	457	85	550	610	160	419	190	75	M20X42	140	554	20	67.5	12	280	35	700	24	M64X2	350	1042
K315S	2	508	120	635	670	260	406	216	65	M20X42	140	790	18	58	11	315	35	920	28	M72X2	387	1419
K315S	4-8	508	120	635	670	260	406	216	80	M20X42	170	790	22	71	14	315	35	920	28	M72X2	417	1492
K315M	2	508	120	635	670	260	457	216	65	M20X42	140	790	18	58	11	315	35	920	28	M72X2	387	1419
K315M	4-8	508	120	635	670	260	457	216	80	M20X42	170	790	22	71	14	315	35	920	28	M72X2	417	1492
K315L	2	508	120	635	670	260	508	216	65	M20X42	140	790	18	58	11	315	35	920	28	M72X2	387	1419
K315L	4-8	508	120	635	670	260	508	216	80	M20X42	170	790	22	71	14	315	35	920	28	M72X2	417	1492
K355M	2	610	125	735	735	260	560	254	75	M24X50	140	775	20	67.5	12	355	49	1000	28	M72X2	415	1490
K355M	4-8	610	125	735	735	260	560	254	95	M24X50	170	775	25	86	14	355	49	1000	28	M72X2	445	1520
K355L	2	610	125	735	735	260	630	254	75	M24X50	140	775	20	67.5	12	355	49	1000	28	M72X2	415	1490
K355L	4-8	610	125	735	735	260	630	254	95	M24X50	170	775	25	86	14	355	49	1000	28	M72X2	445	1520
K355L	2	610	125	735	735	260	630	254	75	M24X50	140	875	20	67.5	12	355	49	1000	28	M72X2	415	1590
K355L	4-8	610	125	735	735	260	630	254	95	M24X50	170	875	25	86	14	355	49	1000	28	M72X2	445	1620

K-Series - IE4

Dimension sheet

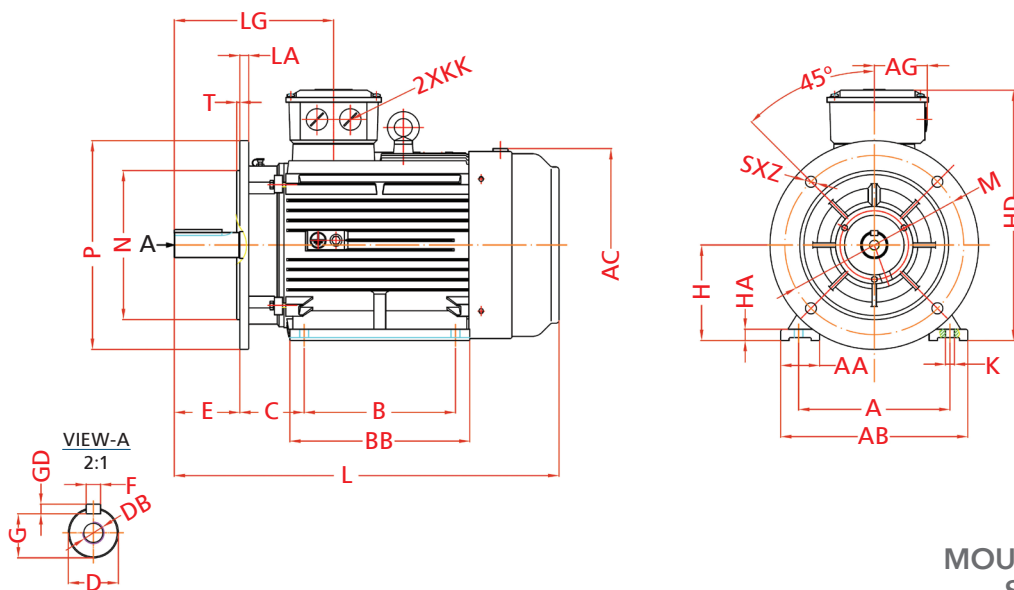


**MOUNTING B5-V1
SIZE 80-355**

FRAME	Poles	AC	D	AD	AG	DB	E	F	G	GD	LA	LG	M	N	P	S	T	KK	L	LM
K80	2-8	175	19	155	51	M6X16	40	6	15.5	6	14	115	165	130	200	12	3.5	M24X1.5	301	-
K90S	2-8	205	24	170	60	M8X19	50	8	20	7	12	129	165	130	200	12	3.5	M24X1.5	360	-
K90L	2-8	205	24	170	60	M8X19	50	8	20	7	12	129	165	130	200	12	3.5	M24X1.5	390	-
K100L	2-8	215	28	175	60	M10X22	60	8	24	7	14	147	215	180	250	14.5	4	M24X1.5	433.5	-
K112M	2-8	236	28	195	75	M10X22	60	8	24	7	12	144	215	180	250	14.5	4	M30X2	461	-
K132S	2-8	275	38	215	75	M12X28	80	10	33	8	14	250	265	230	300	14.5	4	M30X2	477	-
K132M	2-8	275	38	215	75	M12X28	80	10	33	8	14	250	265	230	300	14.5	4	M30X2	515	-
K160M	2-8	340	42	270	95	M16X36	110	12	37	8	15	270	300	250	350	18.5	5	M36X2	656.5	701.5
K160L	2-8	340	42	270	95	M16X36	110	12	37	8	15	270	300	250	350	18.5	5	M36X2	728.5	773.5
K180M	2-8	385	48	300	120	M16X36	110	14	42.5	9	15	288	300	250	350	18.5	5	M48X2	818	863
K180L	2-8	385	48	300	120	M16X36	110	14	42.5	9	15	288	300	250	350	18.5	5	M48X2	818	863
K200L	2-8	440	55	325	120	M20X42	110	16	49	10	17	298	350	300	400	18.5	5	M48X2	908.5	984
K225S	4-8	490	60	370	160	M20X42	140	18	53	11	19	350	400	350	450	18.5	5	M64X2	958	1033
K225M	2	490	55	370	160	M20X42	110	16	49	10	19	320	400	350	450	18.5	5	M64X2	928	1003
K225M	4-8	490	60	370	160	M20X42	140	18	53	11	19	350	400	350	450	18.5	5	M64X2	958	1033
K250M	2	545	60	390	160	M20X42	140	18	53	11	22	350	500	450	550	18.5	5	M64X2	981	1056
K250M	4-8	545	65	390	160	M20X42	140	18	58	11	22	350	500	450	550	18.5	5	M64X2	981	1056
K280S	2	610	65	415	160	M20X42	140	18	58	11	22	350	500	450	550	18.5	5	M64X2	1028	1113
K280S	4-8	610	75	415	160	M20X42	140	20	67.5	12	22	350	500	450	550	18.5	5	M64X2	1042	1127
K280M	2	610	65	415	160	M20X42	140	18	58	11	22	350	500	450	550	18.5	5	M64X2	1028	1113
K280M	4-8	610	75	415	160	M20X42	140	20	67.5	12	22	350	500	450	550	18.5	5	M64X2	1042	1127
K315S	2	670	65	600	260	M20X42	140	18	58	11	24	387	600	550	660	24	6	M72X2	1419	1504
K315S	4-8	670	80	600	260	M20X42	170	22	71	14	24	417	600	550	660	24	6	M72X2	1492	1577
K315M	2	670	65	600	260	M20X42	140	18	58	11	24	387	600	550	660	24	6	M72X2	1419	1504
K315M	4-8	670	80	600	260	M20X42	170	22	71	14	24	417	600	550	660	24	6	M72X2	1492	1577
K315L	2	670	65	600	260	M20X42	140	18	58	11	24	387	600	550	660	24	6	M72X2	1419	1504
K315L	4-8	670	80	600	260	M20X42	170	22	71	14	24	417	600	550	660	24	6	M72X2	1492	1577
K355M	2	735	75	645	260	M24X50	140	20	67.5	12	25	415	740	680	800	24	6	M72X2	1490	1590
K355M	4-8	735	95	645	260	M24X50	170	25	86	14	25	445	740	680	800	24	6	M72X2	1520	1620
K355L	2	735	75	645	260	M24X50	140	20	67.5	12	25	415	740	680	800	24	6	M72X2	1490	1590
K355L	4-8	735	95	645	260	M24X50	170	25	86	14	25	445	740	680	800	24	6	M72X2	1520	1620
K355L	2	735	75	645	260	M24X50	140	20	67.5	12	25	415	740	680	800	24	6	M72X2	1590	1690
K355L	4-8	735	95	645	260	M24X50	170	25	86	14	25	445	740	680	800	24	6	M72X2	1620	1720

K-Series - IE4

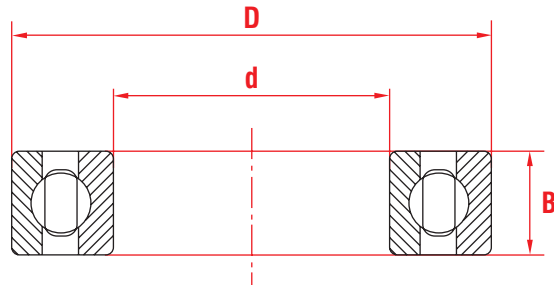
Dimension sheet



**MOUNTING B35
SIZE 80-355**

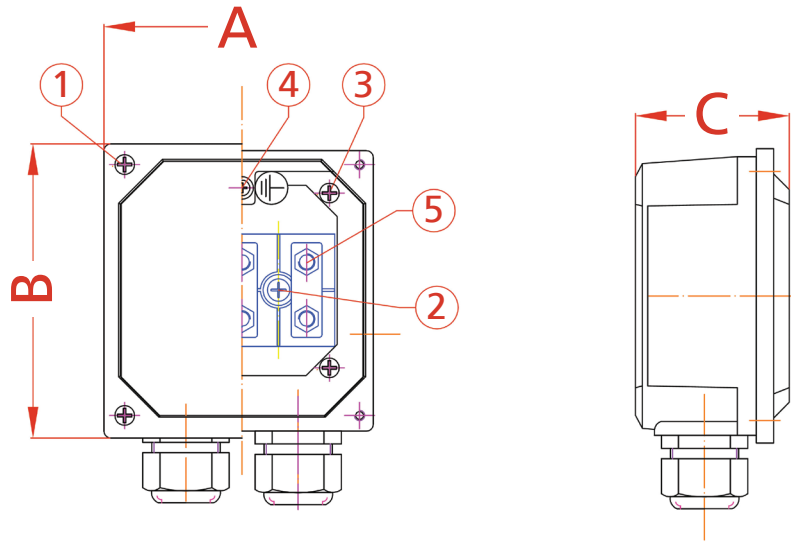
FRAME	Poles	A	AA	AB	AC	AG	B	BB	C	D	DB	E	F	G	GD	H	HA	HD	K	L	LA	LG	M	N	P	S	T	KK
K80	2-8	125	34	165	175	51	100	142	50	19	M6X16	40	6	15.5	6	80	10	235	10	301	14	115	165	130	200	12	3.5	M24X1.5
K90S	2-8	140	36	180	205	60	100	180	56	24	M8X19	50	8	20	7	90	12.5	260	10	360	12	129	165	130	200	12	3.5	M24X1.5
K90L	2-8	140	36	180	205	60	125	210	56	24	M8X19	50	8	20	7	90	12.5	260	10	390	12	129	165	130	200	12	3.5	M24X1.5
K100L	2-8	160	40	205	215	60	140	233	63	28	M10X22	60	8	24	7	100	14	275	12	433.5	14	147	215	180	250	14.5	4	M24X1.5
K112M	2-8	190	45	230	236	75	140	252	70	28	M10X22	60	8	24	7	112	14	307	12	461	12	144	215	180	250	14.5	4	M30X2
K132S	2-8	216	52	270	275	75	140	242	89	38	M12X28	80	10	33	8	132	16	347	12	477	14	250	265	230	300	14.5	4	M30X2
K132M	2-8	216	52	270	275	75	178	242	89	38	M12X28	80	10	33	8	132	16	347	12	515	14	250	265	230	300	14.5	4	M30X2
K160M	2-8	254	67	320	340	95	210	305	108	42	M16X36	110	12	37	8	160	19	430	14.5	656.5	15	270	300	250	350	18.5	5	M36X2
K160L	2-8	254	67	320	340	95	254	375	108	42	M16X36	110	12	37	8	160	19	430	14.5	728.5	15	270	300	250	350	18.5	5	M36X2
K180M	2-8	279	70	345	385	120	241	420	121	48	M16X36	110	14	42.5	9	180	22	480	14.5	818	15	288	300	250	350	18.5	5	M48X2
K180L	2-8	279	70	345	385	120	279	420	121	48	M16X36	110	14	42.5	9	180	22	480	14.5	818	15	288	300	250	350	18.5	5	M48X2
K200L	2-8	318	70	390	440	120	305	490	133	55	M20X42	110	16	49	10	200	25	525	18.5	908.5	17	298	350	300	400	18.5	5	M48X2
K225S	4-8	356	75	435	490	160	286	475	149	60	M20X42	140	18	53	11	225	28	595	18.5	958	19	350	400	350	450	18.5	5	M64X2
K225M	2	356	75	435	490	160	311	475	149	55	M20X42	110	16	49	10	225	28	595	18.5	928	19	320	400	350	450	18.5	5	M64X2
K225M	4-8	356	75	435	490	160	311	475	149	60	M20X42	140	18	53	11	225	28	595	18.5	958	19	350	400	350	450	18.5	5	M64X2
K250M	2	406	80	485	545	160	349	515	168	60	M20X42	140	18	53	11	250	33	645	24	981	22	350	500	450	550	18.5	5	M64X2
K250M	4-8	406	80	485	545	160	349	515	168	65	M20X42	140	18	58	11	250	33	645	24	981	22	350	500	450	550	18.5	5	M64X2
K280S	2	457	85	550	610	160	368	554	190	65	M20X42	140	18	58	11	280	35	700	24	1028	22	350	500	450	550	18.5	5	M64X2
K280S	4-8	457	85	550	610	160	368	554	190	75	M20X42	140	20	67.5	12	280	35	700	24	1042	22	350	500	450	550	18.5	5	M64X2
K280M	2	457	85	550	610	160	419	554	190	65	M20X42	140	18	58	11	280	35	700	24	1028	22	350	500	450	550	18.5	5	M64X2
K280M	4-8	457	85	550	610	160	419	554	190	75	M20X42	140	20	67.5	12	280	35	700	24	1042	22	350	500	450	550	18.5	5	M64X2
K315S	2	508	120	635	670	260	406	790	216	65	M20X42	140	18	58	11	315	35	920	28	1419	24	387	600	550	660	24	6	M72X2
K315S	4-8	508	120	635	670	260	406	790	216	80	M20X42	170	22	71	14	315	35	920	28	1492	24	417	600	550	660	24	6	M72X2
K315M	2	508	120	635	670	260	457	790	216	65	M20X42	140	18	58	11	315	35	920	28	1419	24	387	600	550	660	24	6	M72X2
K315M	4-8	508	120	635	670	260	457	790	216	80	M20X42	170	22	71	14	315	35	920	28	1492	24	417	600	550	660	24	6	M72X2
K315L	2	508	120	635	670	260	508	790	216	65	M20X42	140	18	58	11	315	35	920	28	1419	24	387	600	550	660	24	6	M72X2
K315L	4-8	508	120	635	670	260	508	790	216	80	M20X42	170	22	71	14	315	35	920	28	1492	24	417	600	550	660	24	6	M72X2
K355M	2	610	125	735	735	260	560	775	254	75	M24X50	140	20	67.5	12	355	49	1000	28	1490	25	415	740	680	800	24	6	M72X2
K355M	4-8	610	125	735	735	260	560	775	254	95	M24X50	170	25	86	14	355	49	1000	28	1520	25	445	740	680	800	24	6	M72X2
K355L	2	610	125	735	735	260	630	775	254	75	M24X50	140	20	67.5	12	355	49	1000	28	1490	25	415	740	680	800	24	6	M72X2
K355L	4-8	610	125	735	735	260	630	775	254	95	M24X50	170	25	86	14	355	49	1000	28	1520	25	445	740	680	800	24	6	M72X2
K355L	2	610	125	735	735	260	630	875	254	75	M24X50	140	20	67.5	12	355	49	1000	28	1590	25	415	740	680	800	24	6	M72X2
K355L	4-8	610	125	735	735	260	630	875	254	95	M24X50	170	25	86	14	355	49	1000	28	1620	25	445	740	680	800	24	6	M72X2

Bearings



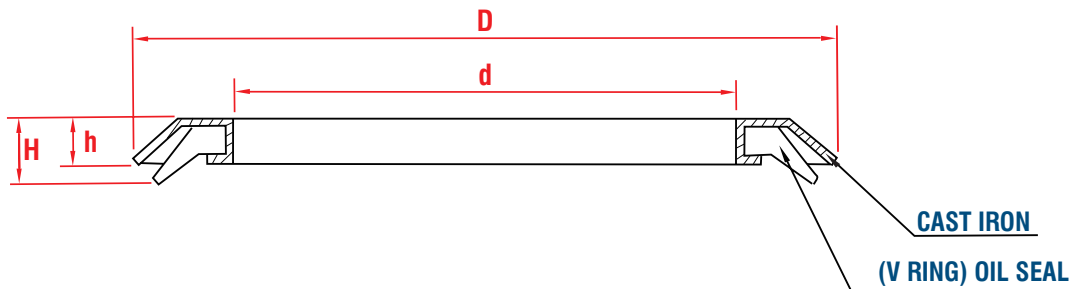
Motor Type	Bearing DE	Bearing NDE	d (mm)	D (mm)	B (mm)
K80	6204ZZ C3	6204ZZ C3	20	47	14
K90	6205ZZ C3	6205ZZ C3	25	52	15
K100L	6206ZZ C3	6206ZZ C3	30	62	16
K112M	6306ZZ C3	6306ZZ C3	30	72	19
K132	6308ZZ C3	6308ZZ C3	40	90	23
K160	6309 C3	6309 C3	45	100	25
K180	6311 C3	6311 C3	55	120	29
K200L	6313 C3	6313 C3	65	140	33
K225	6314 C3	6314 C3	70	150	35
K250	6314 C3	6314 C3	70	150	35
K280 2P	6314 C3	6314 C3	70	150	35
K280 4-6P	6317 C3	6317 C3	85	180	41
K315 2P	6316 C3	6316 C3	80	170	39
K315 4-6P	6319 C3	6319 C3	95	200	45
K355 (2P) (B3, B35)	6319 C3	6319 C3	95	200	45
K355 (2P) V1	6319 C9	7319 C9	95	200	45
K355 (4-8P) (B3, B35)	6322 C3	6322 C3	110	240	50
K355 (4-8P) V1	6322 C3	7322 C3	110	240	50

Terminal Box



FRAME	A	B	C	1	2	3	4	5	GRAND SIZE	OUTLET (Dia.)
K80	105	105	65	M5X16	M5X25	M5X16	M5X12	M4	M24X1.5	ø11
K90-100	113	113	72	M5X16	M5X25	M5X16	M5X12	M4	M24X1.5	ø11
K112-132	121	129	80	M5X16	M5X25	M5X20	M5X16	M5	2XM30X2	2Xø15
K160	163	173	92	M6X16	M6X25	M6X16	M6X12	M6	2XM36X2	2Xø25
K180-200	188	208	107	M8X25	M8X35	M8X25	M8X16	M8	2XM48X2	2Xø36
K225-280	217	246	120	M8X25	M8X35	M8X25	M8X16	M10	2XM64X2	2Xø51
K315-355	350	475	285	M12X30	M12X80	M12X30	M10X25	M20	2XM72X2	2Xø52

Oil Seal



MOTOR TYPE	OIL SEAL SIZE	d	D	h	H
K80	RB20x35x4.0	Φ20	Φ35	3	6
K90	RB25x40x4.0	Φ25	Φ40	3	6
K100	RB30x47x4.5	Φ30	Φ47	3.5	6.5
K112	RB30x47x4.5	Φ30	Φ47	3.5	6.5
K132	RB40x57x4.5	Φ40	Φ57	3.5	6.5
K160	RB45x62x4.5	Φ45	Φ62	3.5	6.5
K180	RB55x75x5.5	Φ55	Φ75	4.5	6.5
K200	RB65x85x5.5	Φ65	Φ85	4.5	8
K225	RB70x90x5.5	Φ70	Φ90	4.5	8
K250	RB70x90x5.5	Φ70	Φ90	4.5	8
K280-2	RB70x90x5.5	Φ70	Φ90	4.5	8
K280-4.6.8	RB85x105x5.5	Φ85	Φ105	4.5	8
K315-2	RB80x100x5.5	Φ80	Φ100	4.5	8
K315-4.6.8	RB95x115x5.5	Φ95	Φ115	4.5	8



ATHENS: 18, Gr. Labraki Str., 141 23 Likovrisi Tel: +30 2102817217, Fax : +30 2102814277

THESSALONIKI: Industrial Area of Sindos., O.T. 48B, 15th Str., 570 22

Tel :+30 2310796646, Fax: +30 2310796645

e-mail: valiadis@valiadis.gr – <https://www.valiadis.gr>

ROMANIA: 1, Aleea Meseriasilor, Bloc C93, Etaj 2, Ap. 16, Sector 6, 061647-Bucharest

Tel : +40 214135902, Fax: +40 318156441, +40 318165216

e-mail: romania@valiadis.gr -<https://www.ac-motors.eu>